

1 Data sheet — X-Card D021506412A

X-Cards are true digital X-ray detector boards with integrated amplifiers and AD converters. They have scintillators attached to photosensors for X-ray detection.

This data sheet describes the 1.5 mm pitch, dual energy X-Card D021506412A.

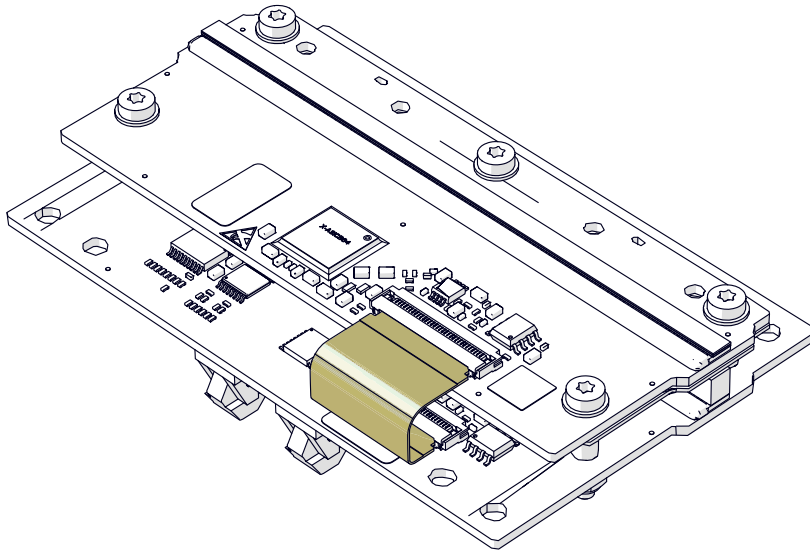


Figure 1: D021506412A

1.1 Key features

- Simplified system design
- Lowest-noise solution
- Superior image quality
- Fully digitalized data path
- Very compact mechanical size
- Wide sensitivity range from 0.25 pC to 31.75 pC with 127 steps
- Separately controllable gain setting for each HE and LE card
- Robust structure with reliable mechanical and electrical interfaces
- Centralized remote firmware update by the X-GCU
- Local diagnostics functions: test patterns, temperature and voltage monitoring
- ROHS and EMC compliance
- Complete subsystems available, including detectors, controllers and software libraries for rapid system development

1.2 Typical applications

- Security inspection
- Cargo and vehicle inspection
- Multi-view imaging
- Non-destructive testing
- Food inspection
- Raw material sorting
- Thickness measurement
- Foreign particle detection
- CT imaging

2 Ordering information

Table 1: Ordering information

Product code	Product name	Product description
13013486	X-Card D021506412A	1.5 mm pitch, 64 ch, dual-energy, GOS screen, 4 mm CsI, 0.6 mm copper filter, 16-bit

3 Technical specifications

Table 2: Technical specifications — X-Card D021506412A

Feature	D021506412A
Pixel size (mm)	1.5
Low Energy (LE) / High Energy (HE) / Dual-energy (DE)	DE
Mechanical length	96.9 mm
Mechanical width	59.5 mm
Mechanical Height	< 25 mm
LE Scintillator material	DRZ-High (GOS screen, 145 mg/cm ²)
HE Scintillator material	CsI 4mm
Copper filter	0.6 mm
Afterglow	<1.5 % @ 75 ms
Number of pixels	LE 64 pixels, HE 64 pixels
Scintillator alignment tolerance to reference hole	±0.4mm
Scintillator LE-HE registration	±0.2 mm
Min integration time	1.27 ms
Max integration time	25 ms. For longer integration times, use the summing function on the X-GCU.
A/D resolution	16 bits

Feature	D021506412A
Sensitivity range	0.25 pF—31.75 pF, 127 steps
Interface to control unit	X-Link Basic, 26-pin connector
X-Ray Response Non-Uniformity, pixel to pixel	-15 %~+10 %
Dark offset Non-Uniformity, pixel to pixel	-15 %~+10 %
X-Ray Response Non-Uniformity, card to card	-15 %~15 %
Dynamic range	13000:1 @ 2 pF 20000:1 @ 10 pF
Radiation hardness	100 kGy <div style="border: 1px solid black; padding: 5px;"> <p>NOTE Note: Radiation hardness is defined as X-ray response drop < 50 % in comparison with the original X-ray response.</p> </div>

Photosensitive area specifications

The photosensitive area specifications are:

Table 3: Photosensitive area specifications for X-Card D021506412A

Parameter	Value
Pixel pitch (P)	1.5 mm
Pixel width (W)	1.4 mm
Pixel height (H)	3 mm
Pixel active area	4.2 mm ²

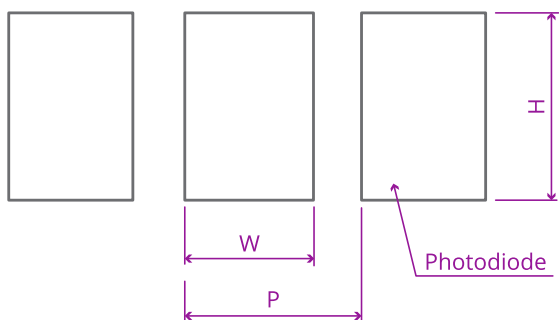


Figure 2: Photosensitive area

4 Environmental specifications

The environmental specifications of the X-Card are:

- Operating temperature: -5 °C—+50 °C
- Operating humidity: < 95 % RH (non-condensing) @ 40 °C
- Storage temperature: -40 °C—+60 °C
- Storage humidity: < 95 % RH (non-condensing) @ 40 °C

5 Mechanical outline drawing

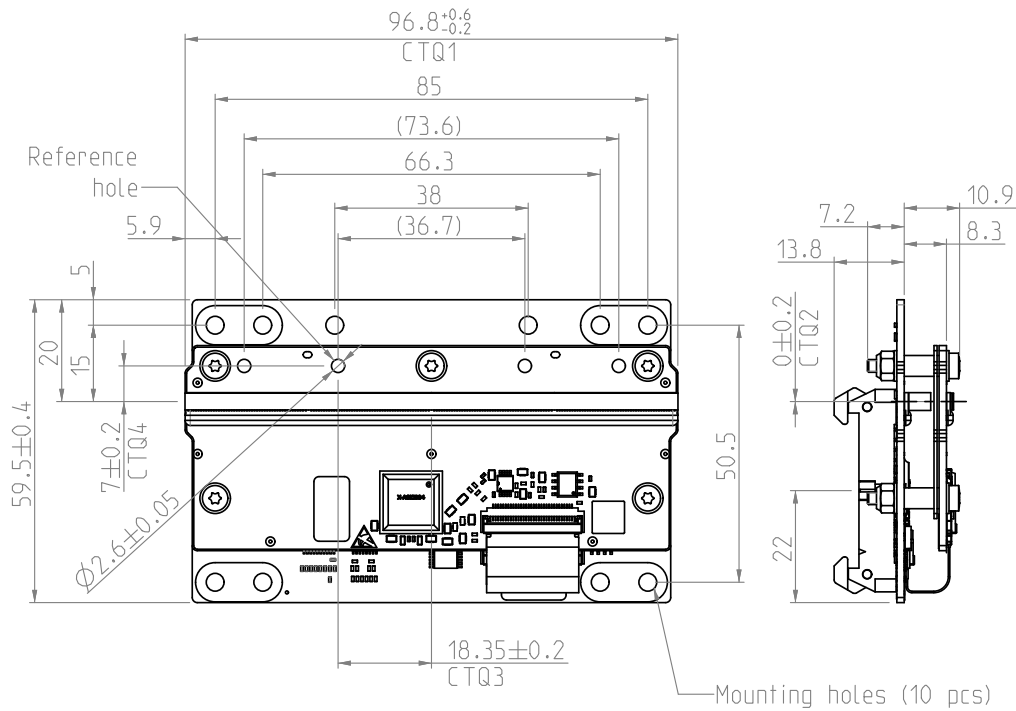


Figure 3: Mechanical outline drawing of D021506412A

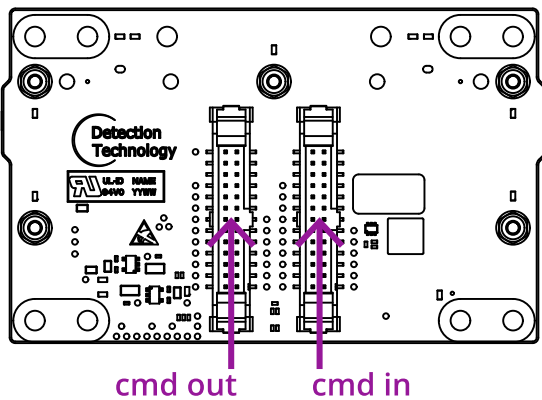


Figure 4: Connectors of D021506412A

The command interfaces are:

- cmd in — The command input from X-GCU or the previous X-Card, and image data output to X-GCU or the previous X-Card. If this is the first card of the X-Link segment, always connect this connector to the X-Link connector on the X-GCU.
- cmd out — The image data input from the next X-Card and command output to the next X-Card. Never connect this connector to the X-GCU. If this is the last card of the X-Link segment, this connector will be empty.

6 Disclaimer

All information presented in this manual is believed to be accurate and reliable. However, Detection Technology Plc assumes no responsibility for the use of such information for any infringements of patents or other rights of third parties that may result from its use. Due to a continuous product development, information in this document is subject to change without notice. No license is granted by implication or otherwise under any patent or patent rights of Detection Technology.

6.1 Copyright

All rights reserved. No part of this publication may be reproduced, in any form or by any means, without a written permission from Detection Technology Plc.

6.2 Warning

Detection Technology, Plc. assumes no liability for damages consequent to the use of the product presented in this manual. The product presented is not designed with components of a level of reliability suitable for use in life support, medical or other critical applications.

6.3 Contact information

Detection Technology Plc
Elektroniikkatie 10, FI-90590 Oulu, Finland
Tel +358 20 766 9700
Fax +358 20 766 9709
contact@deetee.com
www.deetee.com